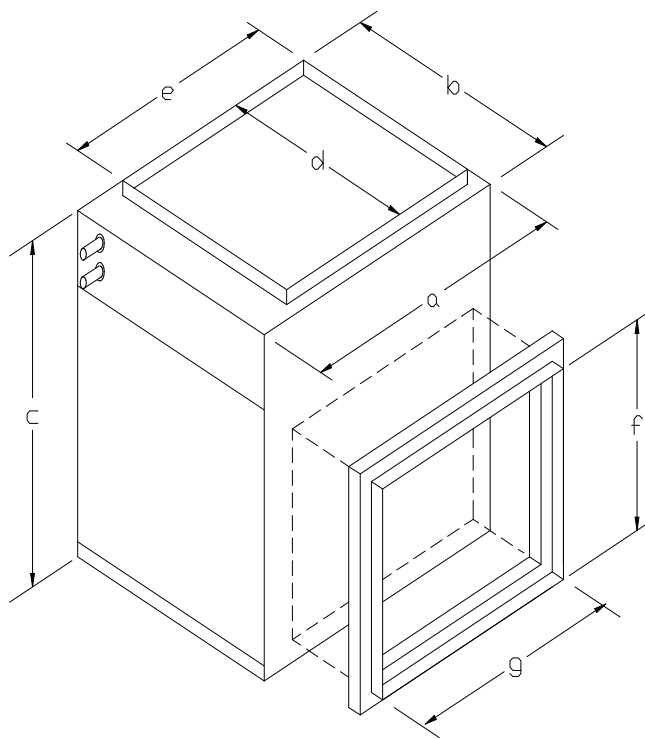


Designed for Comfort and Efficiency: combo-pac™ air handlers work with domestic water heaters or boilers to provide space heating for any home.

- High efficiency EC motor for electrical savings.
- Fully programmable heating, cooling and continuous fan speeds
- Status display with icons for mode, airflow, status and error codes
- Compatible with all 24-volt thermostats.



- **Ultimate comfort:** delivers warmer, more comfortable air than typical combo systems, heat pumps and many furnaces.
- **Quiet performance:** engineered and dynamically balanced for quiet operation.
- **Good value:** costs less to install than a furnace, yet provides better comfort.
- **Dependable:** unlike a furnace, the combo-pac™ has no burner or vent system to fail.
- **A total package:** add air conditioning and air filtration for complete indoor comfort.

Physical Properties

Model Type	Cabinet dimensions			Supply air	Return air	water inlet and outlet	Shipping Weight
	a	b	c	d x e	f x g		
CP30	20"	14"	24"	12"x16"	14"x18"	1/2"	80 lb.
CP60, CP65, CP75	25"	22"	31.5"	20"x20"	18"x23"	3/4"	110 lb.
CP100	25"	22"	53.25"	20"x20"	18"x23"	1"	120 lb.

- **Fully programmable** heating, cooling and continuous fan speeds available to the installer.
- **Heating Coil pre-heat** to prevent “cold blow” at start-up and cool down at the end to save energy.
- **Modulates on heating** to reduce noise, reduce electrical usage and improve comfort.
- **Cooling Coil pre-cool** at start-up and warm up at the end to save energy.
- **Automatic cooling mode** available to match any air conditioning condenser.
- **Flexible mounting:** mounts in any direction -- up, down, horizontal discharge left or right.
- **Return air:** can be mounted on left or right side, bottom, or back of unit.
- **Easy servicing:** Heating coil slides out front; all parts accessible through the front.
- **Add-on cooling:** is easy with a slab coil or A-coil.

Built-in Options available to the installer:

- **Cooling Dehumidification** continuously measures and adjusts to dehumidify the incoming air.
- **Freeze protection cooling:** shuts off air conditioner during a fault condition
- **Freeze protection heating:** turns on the pump during a fault condition
- **Daily pump exerciser:** optional cycle timer available as special order

Special order options:

- **Modulating pump:** ideal for condensing boilers and water heaters
- **High efficiency pump:** Alpha pumps provide electrical savings
- **Web connection:** monitor status and change settings from any computer

Unit Specifications: combo-pac™ air handlers

MODEL:	CP30	CP60	CP65	CP75	CP100
*Heating Capacity (Btu/h) 120F water	21,000	43,000	47,000	55,000	76,000
*Heating Capacity (Btu/h) 130F water	28,000	56,000	61,000	71,000	91,000
*Heating Capacity (Btu/h) 140F water	30,000	60,000	66,000	77,000	106,000
*Heating Capacity (Btu/h) 160F water	37,000	77,000	85,000	100,000	135,000
*Heating Capacity (Btu/h) 180F water	48,000	95,000	104,000	122,000	164,000
(USGPM) Heating	3.0	4.8	4.8	4.8	7.0
Maximum Heating Airflow (cfm)	800	1200	1400	1800	1800
Max. External Static Pressure (“wc)**	1.2	0.5	1.0	0.5	1.0
Maximum Cooling Capacity (Tons)	2.0	3.0	3.5	5.0	5.0
Blower Motor Full Load (Amps)	5.5	5.5	7.7	9.6	9.6
Circulator Full Load (Amps)	0.6	0.8	0.8	0.8	0.8

* based on 70F return air and high fan speed. Contact us for performance at lower water temperatures.

** air handler can deliver maximum programmed airflow at any static pressure equal to or below this value. Higher ESPs are possible at lower air flows. Contact Vortex.