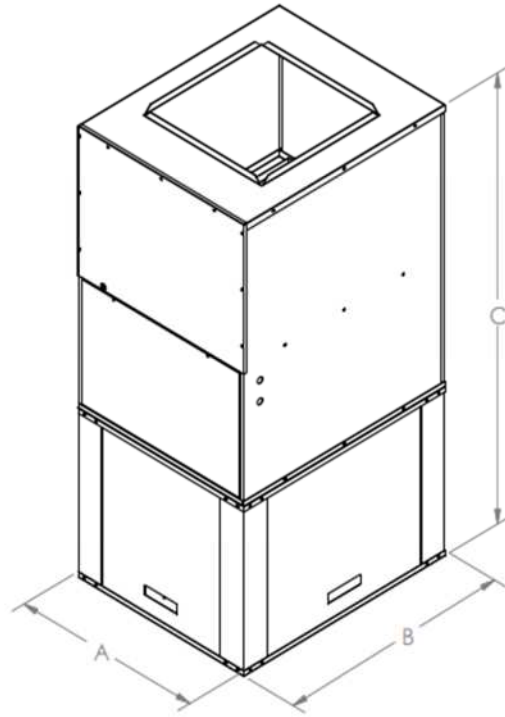


Ground Source Heat Pump Systems

Water to Air Geothermal Heat Pumps - Heating and Cooling

Packaged geothermal air system for providing forced air heating and cooling.

- T5 digital control with display for error and operating modes
- Optional 3-zone (Zone Comfort)
- Optional internet communications
- Optional domestic hot water/hydronic or booster (desuperheater)
- EC fan motor
- Scroll compressor with R410A
- Insulated attractive white cabinet
- Universal left or right return air
- Optional split system available for low ceilings or horizontal air handler installs



Physical Properties

Model Type	Cabinet dimensions			Supply air	Return air	water inlet and outlet	Air Flow (cfm)
	A	B	C				
W2A36	22"	25"	64"	20"x20"	18"x23"	1"	1200
W2A52	28"	34"	64"	20"x20"	18"x23"	1"	1800
W2A72	28"	34"	64"	20"x20"	18"x23"	1 1/4"	2400

For split system add suffix "-SPLIT"

For non-reversing systems add suffix – N



GEOThermal HEAT PUMPS

Performance Data													
Model	Flow gpm	Closed Water Loop				Open Water Loop				Closed Ground Loop			
		Cooling (30C/86F)		Heating (20C/68F)		Cooling (15C/59F)		Heating (10C/50F)		Cooling (25C/77F)		Heating (0C/32F)	
		Capacity	EER	Capacity	cop	Capacity	EER	Capacity	cop	Capacity	EER	Capacity	cop
W2A36-S	9	33,000	17	38,000	6.0	36,500	28	31,000	5.2	34,000	21	24,500	4.3
W2A52-S	13.5	51,000	16	61,000	5.4	57,000	25	49,000	4.7	52,500	19	38,500	3.9
W2A72-S	18	69,000	16	84,500	5.1	78,000	23	67,500	4.4	71,500	18	53,000	3.7
W2A36-T	9	35,500	17	41,000	5.4	38,500	23	33,500	4.9	37,000	19	26,000	4.1
part load		25,000	19	28,500	6.4	28,000	31	22,500	5.3	27,500	28	20,000	4.8
W2A72-T	15	67,000	16	85,000	5.0	76,000	20	66,500	4.4	70,000	16	51,500	3.7
part load		51,000	17	62,000	5.3	58,500	25	49,000	4.5	55,500	22	42,500	4.1
W2A54-V	14	53,000	16	63,000	5.4	59,000	25	51,000	4.7	54,000	19	40,000	3.9

-S for single-stage, -T for two-stage and -V for variable speed compressor