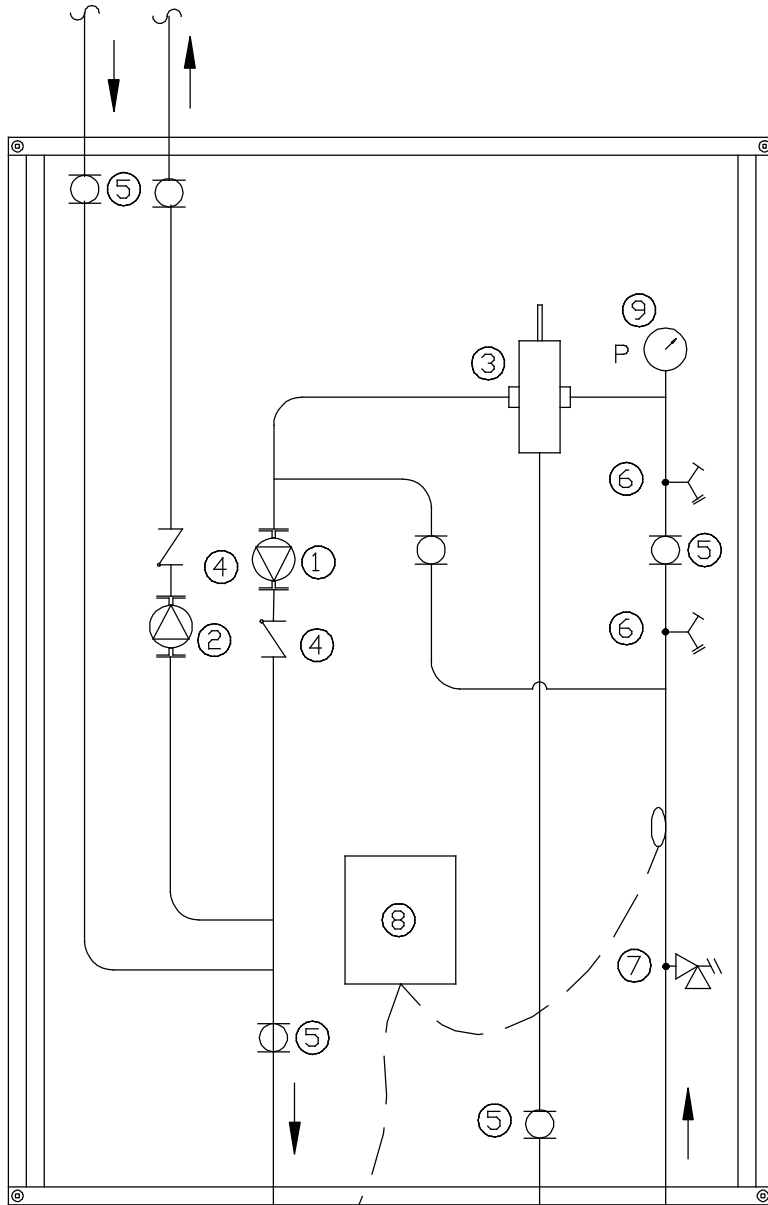


Boiler Connections



- ① Slab Pump
- ② Injection Pump
- ③ Air Purger
- ④ Check Valve
- ⑤ Isolation Valves
- ⑥ Drain Valve
- ⑦ Pressure Relief valve
- ⑧ Control
- ⑨ Pressure Gauge
- ⑩ Expansion Tank

Snow Melt
Manifolds
Connections

Supply Sensor
Field install and
Insulate



45 Cowansview Rd.
Cambridge, Ontario N1R 7L2
Phone: 888-781-8151
Fax: 888-670-2544
e-mail: info@vortexsource.com

DRAWING TITLE

Snow Melt
No Heat Exch.
Opt. Bypass
Plumbing Layout

DRAWING NUMBER

REVISION
20150401