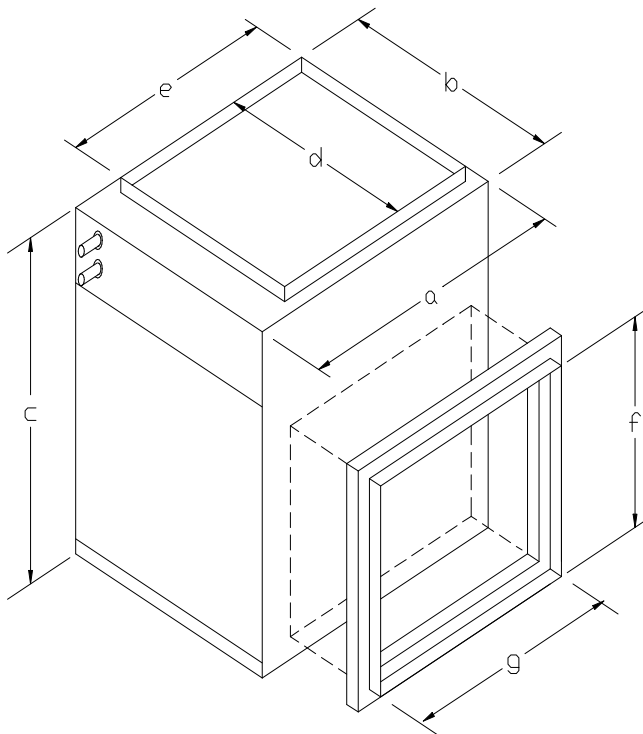


**Economical high-velocity air handlers work with domestic water heaters or boilers to provide space heating for any home.**

## Features:

- High efficiency EC motor for electrical savings.
- Fully programmable heating, cooling and continuous fan speeds
- Status display with icons for mode, airflow, status and error codes
- Compatible with all 24-volt thermostats.
- Utilizes Vortex small-D Duct System Design to provide maximum flexibility to easily adapt to retrofit and new construction applications.
  - Combination of 3" and 4" duct materials take advantage of conventional materials for ease of design and installation.



- **Comfortable:** automatically adjusts the dehumidification of any air conditioner for Summer comfort.
- **Quiet performance:** engineered and dynamically balanced for quiet operation.
- **Good value:** costs less to install than a furnace, yet provides better comfort.
- **Dependable:** unlike a furnace, the combo-pac HV™ has no burner or vent system to fail.
- **A total package:** add air conditioning and air filtration for complete indoor comfort.

## Physical Properties

Model Type	Cabinet dimensions			Supply air	Return air	water inlet and outlet	Shipping Weight
	a	b	c	d x e	f x g		
CP30	20"	14"	24"	12"x16"	14"x18"	1/2"	80 lb.
CP63, CP70, CP80	25"	22"	31.5"	20"x20"	18"x23"	3/4"	110 lb.
CP100	25"	22"	53.25"	20"x20"	18"x23"	3/4"	120 lb.

- **Fully programmable** heating, cooling and continuous fan speeds available to the installer.
- **Heating Coil pre-heat** for comfort at start-up. Cool down at the end to save energy.
- **Modulates on heating** to reduce noise, reduce electrical usage and improve comfort.
- **Cooling Coil pre-cool** at start-up and warm up at the end to save energy.
- **Automatic cooling mode** available to match any 1 or 2-stage AC condenser.
- **Flexible mounting:** mounts in any direction -- up, down, horizontal discharge left or right.
- **Return air:** can be mounted on left or right side, bottom, or back of unit.
- **Easy servicing:** Heating coil slides out front; all parts accessible through the front.
- **Add-on cooling:** is easy with a slab coil or A-coil.

**Built-in Options available to the installer:**

- **Cooling Dehumidification** continuously adjusts to dehumidify the incoming air.
- **Freeze protection cooling:** shuts off air conditioner during a fault condition
- **Daily pump exerciser:** runs the pump for 30 seconds once per day

**Special order options:**

- **Modulating pump:** ideal for condensing boilers and water heaters
- **Freeze protection heating:** turns on the pump during a fault condition
- **High efficiency pump:** Alpha pumps provide electrical savings
- **Web connection:** monitor status and change settings from any computer

**Unit Specifications: combo-pac™ air handlers**

MODEL	CP30	CP30	CP63	CP63	CP70	CP70	CP80	CP80	CP100	CP100
Number of 4" outlets <sup>1</sup>	5	7	8	10	9	12	12	17	15	20
Cooling Capacity (Tons)	1.5	2.0	2.0	2.5	2.5	3.5	4.0	5.0	4.0	5.0
Heating Capacity (MBH) 130F water <sup>3</sup>	24	28	48	58	56	65	66	73	77	91
Heating Capacity (MBH) 140F water <sup>3</sup>	26	30	51	63	60	70	73	80	90	106
Heating Capacity (MBH) 160F water <sup>3</sup>	32	37	65	81	76	90	94	103	115	135
Heating Capacity (MBH) 180F water <sup>3</sup>	41	48	81	100	93	110	114	125	139	164
(USGPM) Heating	3.0	3.0	4.8	4.8	4.8	4.8	4.8	4.8	7.0	7.0
Max. Heating Airflow <sup>2</sup>	600	800	900	1200	1050	1400	1350	1800	1350	1800
Max. ESP (in.WC) <sup>2</sup>	2.3	0.9	1.5	0.6	1.8	1.1	1.8	0.7	1.8	0.6
Blower Motor Full Load (Amps)	5.5	5.5	5.5	5.5	7.7	7.7	9.6	9.6	9.6	9.6
Circulator Full Load (Amps)	0.8	0.8	0.8	0.8	0.8	0.8	0.8	0.8	0.8	0.8

1. Minimum number of outlets required at rated airflow. Refer to SmallID Design for options.
2. These are example air flows and ESP based on number of outlets and programmed heating/cooling speed. Higher ESPs are available at lower airflows. Contact Vortex for performance at lower speeds.
3. Based on 70F return air. Contact Vortex for performance at lower water temperatures.